

【180*180*40mm seriesA】

一般仕様

ベアリングタイプ	2Ball	-
回転数偏差	±5%	±10%
フレームタイプ	フランジ	-
フレーム材質	樹脂(UL 94V-0)	
羽材質	樹脂(UL 94V-0)	
期待寿命(L10残存率90%)	4万時間以上/ 60度	
保護機能	拘束時過電流保護	
	逆接続時保護	

オプション機能

回転数制御	PWM制御
	外部DC電圧制御
センサー出力	パルスセンサー
	ロックセンサー

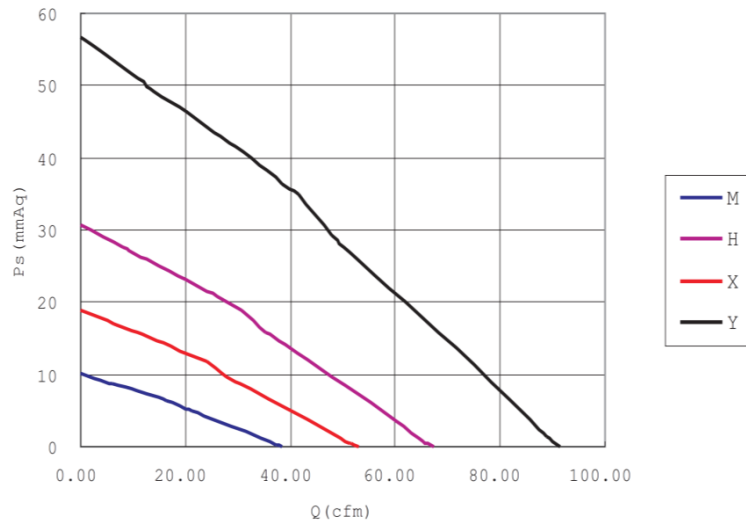
信頼性

動作温度範囲	-10°C~70°C(5%~90% RH)		
保存温度範囲	-40°C~70°C(5%~95% RH)		
ESD ①	Class III		
絶縁階級 ②	Class A		
安全規格	UL	TUV	CE
防塵防水規格	IEC60529		

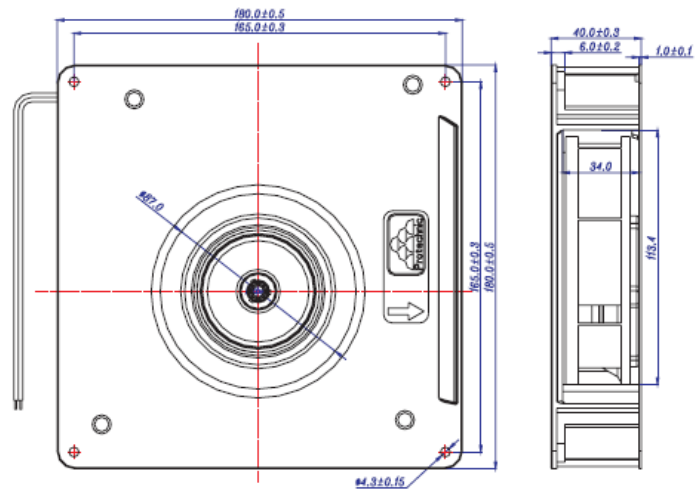
①-Reference Standard: IEC61000-4-2

②-Reference Standard: UL1446

AIR FLOW/STATIC-PRESSURE



OUTLINE(mm)



Item No.	Operating Voltage	Maximum Air Flow		Maximum Air Pressure			Speed (rpm)	Rated Current (A)	Actual Current (A)	Input Power (W)	Actual Power (W)	Noise dB(A)	Weight (g)
	(V)	(CMM)	(CFM)	(Pa)	(mmAq)	(inchAq)							
MBA18012MB-O40	12	1.091	38.50	99.08	10.10	0.390	1,600	0.26	NA	3.12	NA	44.5	920
MBT18012MB-O40	12	1.091	38.50	99.08	10.10	0.390	1,600	0.26	NA	3.12	NA	44.5	920
MBT18012MB-R40	12	1.091	38.50	99.08	10.10	0.390	1,600	0.26	NA	3.12	NA	44.5	920
MBT18012MB-W40	12	1.091	38.50	99.08	10.10	0.390	1,600	0.26	NA	3.12	NA	44.5	920
MBA18012HB-O40	12	1.499	52.90	186.39	19.00	0.750	2,200	0.48	NA	5.76	NA	52.0	920
MBT18012HB-O40	12	1.499	52.90	186.39	19.00	0.750	2,200	0.48	NA	5.76	NA	52.0	920
MBT18012HB-R40	12	1.499	52.90	186.39	19.00	0.750	2,200	0.48	NA	5.76	NA	52.0	920
MBT18012HB-W40	12	1.499	52.90	186.39	19.00	0.750	2,200	0.48	NA	5.76	NA	52.0	920
MBA18012XB-O40	12	2.045	72.20	346.29	35.30	1.390	3,000	1.14	NA	13.68	NA	59.5	920
MBT18012XB-O40	12	2.045	72.20	346.29	35.30	1.390	3,000	1.14	NA	13.68	NA	59.5	920
MBT18012XB-R40	12	2.045	72.20	346.29	35.30	1.390	3,000	1.14	NA	13.68	NA	59.5	920
MBT18012XB-W40	12	2.045	72.20	346.29	35.30	1.390	3,000	1.14	NA	13.68	NA	59.5	920
MBA18012YB-O40	12	2.725	96.20	616.07	62.80	2.740	4,000	2.64	NA	31.68	NA	66.3	920
MBT18012YB-O40	12	2.725	96.20	616.07	62.80	2.740	4,000	2.64	NA	31.68	NA	66.3	920
MBT18012YB-R40	12	2.725	96.20	616.07	62.80	2.740	4,000	2.64	NA	31.68	NA	66.3	920
MBT18012YB-W40	12	2.725	96.20	616.07	62.80	2.740	4,000	2.64	NA	31.68	NA	66.3	920
MBA18024MB-O40	24	1.091	38.50	99.08	10.10	0.390	1,600	0.13	NA	3.12	NA	44.5	920
MBT18024MB-O40	24	1.091	38.50	99.08	10.10	0.390	1,600	0.13	NA	3.12	NA	44.5	920
MBT18024MB-R40	24	1.091	38.50	99.08	10.10	0.390	1,600	0.13	NA	3.12	NA	44.5	920
MBT18024MB-W40	24	1.091	38.50	99.08	10.10	0.390	1,600	0.13	NA	3.12	NA	44.5	920
MBA18024HB-O40	24	1.499	52.90	186.39	19.00	0.750	2,200	0.24	NA	5.76	NA	52.0	920
MBT18024HB-O40	24	1.499	52.90	186.39	19.00	0.750	2,200	0.24	NA	5.76	NA	52.0	920
MBT18024HB-R40	24	1.499	52.90	186.39	19.00	0.750	2,200	0.24	NA	5.76	NA	52.0	920
MBT18024HB-W40	24	1.499	52.90	186.39	19.00	0.750	2,200	0.24	NA	5.76	NA	52.0	920
MBA18024XB-O40	24	2.045	72.20	346.29	35.30	1.390	3,000	0.57	NA	13.68	NA	59.5	920
MBT18024XB-O40	24	2.045	72.20	346.29	35.30	1.390	3,000	0.57	NA	13.68	NA	59.5	920
MBT18024XB-R40	24	2.045	72.20	346.29	35.30	1.390	3,000	0.57	NA	13.68	NA	59.5	920
MBT18024XB-W40	24	2.045	72.20	346.29	35.30	1.390	3,000	0.57	NA	13.68	NA	59.5	920
MBA18024YB-O40	24	2.725	96.20	616.07	62.80	2.740	4,000	1.32	NA	31.68	NA	66.3	920
MBT18024YB-O40	24	2.725	96.20	616.07	62.80	2.740	4,000	1.32	NA	31.68	NA	66.3	920
MBT18024YB-R40	24	2.725	96.20	616.07	62.80	2.740	4,000	1.32	NA	31.68	NA	66.3	920
MBT18024YB-W40	24	2.725	96.20	616.07	62.80	2.740	4,000	1.32	NA	31.68	NA	66.3	920
MBA18048MB-O40	48	1.091	38.50	99.08	10.10	0.390	1,600	0.09	NA	4.08	NA	44.5	920
MBT18048MB-O40	48	1.091	38.50	99.08	10.10	0.390	1,600	0.09	NA	4.08	NA	44.5	920
MBT18048MB-R40	48	1.091	38.50	99.08	10.10	0.390	1,600	0.09	NA	4.08	NA	44.5	920
MBT18048MB-W40	48	1.091	38.50	99.08	10.10	0.390	1,600	0.09	NA	4.08	NA	44.5	920
MBA18048HB-O40	48	1.499	52.90	186.39	19.00	0.750	2,200	0.15	NA	7.20	NA	52.0	920
MBT18048HB-O40	48	1.499	52.90	186.39	19.00	0.750	2,200	0.15	NA	7.20	NA	52.0	920
MBT18048HB-R40	48	1.499	52.90	186.39	19.00	0.750	2,200	0.15	NA	7.20	NA	52.0	920
MBT18048HB-W40	48	1.499	52.90	186.39	19.00	0.750	2,200	0.15	NA	7.20	NA	52.0	920
MBA18048XB-O40	48	2.045	72.20	346.29	35.30	1.390	3,000	0.29	NA	13.68	NA	59.5	920
MBT18048XB-O40	48	2.045	72.20	346.29	35.30	1.390	3,000	0.29	NA	13.68	NA	59.5	920
MBT18048XB-R40	48	2.045	72.20	346.29	35.30	1.390	3,000	0.29	NA	13.68	NA	59.5	920
MBT18048XB-W40	48	2.045	72.20	346.29	35.30	1.390	3,000	0.29	NA	13.68	NA	59.5	920
MBA18048YB-O40	48	2.725	96.20	616.07	62.80	2.740	4,000	0.66	NA	31.68	NA	66.3	920
MBT18048YB-O40	48	2.725	96.20	616.07	62.80	2.740	4,000	0.66	NA	31.68	NA	66.3	920
MBT18048YB-R40	48	2.725	96.20	616.07	62.80	2.740	4,000	0.66	NA	31.68	NA	66.3	920
MBT18048YB-W40	48	2.725	96.20	616.07	62.80	2.740	4,000	0.66	NA	31.68	NA	66.3	920