

【172*172*50.8mm IP68 series】

一般仕様

ベアリングタイプ	2Ball	-
回転数偏差	±5%	±10%
フレームタイプ	フランジ	-
フレーム材質	樹脂(UL 94V-0)	
羽材質	樹脂(UL 94V-0)	
期待寿命(L10残存率90%)	4万時間以上/ 60度	
保護機能	拘束時過電流保護	
	逆接続時保護	

オプション機能

回転数制御	PWM制御	
	外部DC電圧制御	
センサー出力	パルスセンサー	
	ロックセンサー	

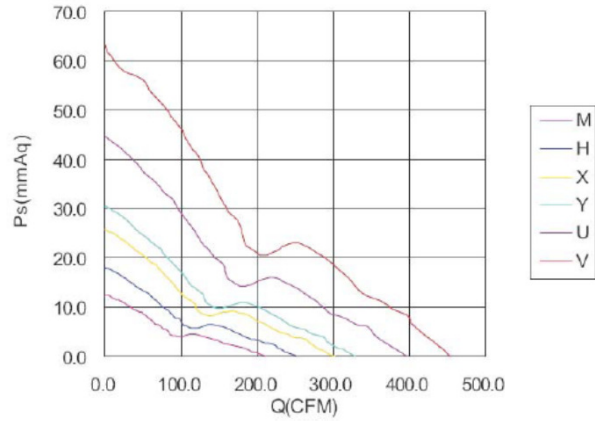
信頼性

動作温度範囲	-10°C~70°C(5%~90% RH)		
保存温度範囲	-40°C~70°C(5%~95% RH)		
ESD ①	Class III		
絶縁階級 ②	Class A		
安全規格	UL	TUV	CE
防塵防水規格	IEC60529		

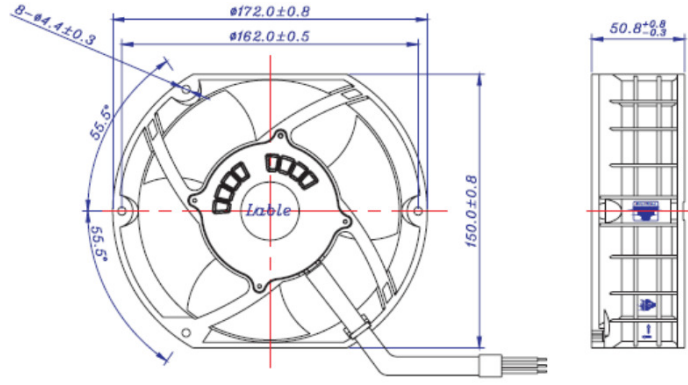
①-Reference Standard: IEC61000-4-2

②-Reference Standard: UL1446

AIR FLOW/STATIC-PRESSURE



OUTLINE(mm)



Item No.	Operating Voltage	Maximum Air Flow		Maximum Air Pressure			Speed (rpm)	Rated Current (A)	Actual Current (A)	Input Power (W)	Actual Power (W)	Noise (dB(A))	Weight (g)
	(V)	(CMM)	(CFM)	(Pa)	(mmAq)	(inchAq)							
MGA1724MB-O51-IP68	24	5.942	209.70	122.63	12.50	0.495	2,800	0.39	0.32	9.36	7.68	50.0	780
MGT1724MB-O51-IP68	24	5.942	209.70	122.63	12.50	0.495	2,800	0.39	0.32	9.36	7.68	50.0	780
MGT1724MB-R51-IP68	24	5.942	209.70	122.63	12.50	0.495	2,800	0.39	0.32	9.36	7.68	50.0	780
MGT1724MB-W51-IP68	24	5.942	209.70	122.63	12.50	0.495	2,800	0.39	0.32	9.36	7.68	50.0	780
MGA1724HB-O51-IP68	24	7.110	251.00	176.58	18.00	0.709	3,350	0.66	0.57	15.84	13.68	55.0	780
MGT1724HB-O51-IP68	24	7.110	251.00	176.58	18.00	0.709	3,350	0.66	0.57	15.84	13.68	55.0	780
MGT1724HB-R51-IP68	24	7.110	251.00	176.58	18.00	0.709	3,350	0.66	0.57	15.84	13.68	55.0	780
MGT1724HB-W51-IP68	24	7.110	251.00	176.58	18.00	0.709	3,350	0.66	0.57	15.84	13.68	55.0	780
MGA1724XB-O51-IP68	24	8.489	299.70	251.14	25.60	1.010	4,000	1.00	0.91	24.00	21.72	60.0	780
MGT1724XB-O51-IP68	24	8.489	299.70	251.14	25.60	1.010	4,000	1.00	0.91	24.00	21.72	60.0	780
MGT1724XB-R51-IP68	24	8.489	299.70	251.14	25.60	1.010	4,000	1.00	0.91	24.00	21.72	60.0	780
MGT1724XB-W51-IP68	24	8.489	299.70	251.14	25.60	1.010	4,000	1.00	0.91	24.00	21.72	60.0	780
MGA1724YB-O51-IP68	24	9.230	325.00	297.24	30.30	1.194	4,350	2.00	1.30	44.16	31.20	63.5	780
MGT1724YB-O51-IP68	24	9.230	325.00	297.24	30.30	1.194	4,350	2.00	1.30	44.16	31.20	63.5	780
MGT1724YB-R51-IP68	24	9.230	325.00	297.24	30.30	1.194	4,350	2.00	1.30	44.16	31.20	63.5	780
MGT1724YB-W51-IP68	24	9.230	325.00	297.24	30.30	1.194	4,350	2.00	1.30	44.16	31.20	63.5	780
MGA1724UB-O51-IP68	24	11.140	393.30	433.60	44.20	1.740	5,250	3.00	2.37	67.20	56.76	69.0	780
MGT1724UB-O51-IP68	24	11.140	393.30	433.60	44.20	1.740	5,250	3.00	2.37	67.20	56.76	69.0	780
MGT1724UB-R51-IP68	24	11.140	393.30	433.60	44.20	1.740	5,250	3.00	2.37	67.20	56.76	69.0	780
MGT1724UB-W51-IP68	24	11.140	393.30	433.60	44.20	1.740	5,250	3.00	2.37	67.20	56.76	69.0	780
MGA1724VB-O51-IP68	24	12.796	451.70	616.07	62.80	2.472	6,300	4.00	3.76	96.00	90.24	73.0	780
MGT1724VB-O51-IP68	24	12.796	451.70	616.07	62.80	2.472	6,300	4.00	3.76	96.00	90.24	73.0	780
MGT1724VB-R51-IP68	24	12.796	451.70	616.07	62.80	2.472	6,300	4.00	3.76	96.00	90.24	73.0	780
MGT1724VB-W51-IP68	24	12.796	451.70	616.07	62.80	2.472	6,300	4.00	3.76	96.00	90.24	73.0	780
MGA1748HB-O51-IP68	48	7.11	251.00	176.58	18.00	0.709	3,350	0.52	0.26	24.96	12.48	55.0	780
MGT1748HB-O51-IP68	48	7.11	251.00	176.58	18.00	0.709	3,350	0.52	0.26	24.96	12.48	55.0	780
MGT1748HB-R51-IP68	48	7.11	251.00	176.58	18.00	0.709	3,350	0.52	0.26	24.96	12.48	55.0	780
MGT1748HB-W51-IP68	48	7.11	251.00	176.58	18.00	0.709	3,350	0.52	0.26	24.96	12.48	55.0	780
MGA1748XB-O51-IP68	48	8.498	299.70	251.14	25.60	1.010	4,000	0.73	0.45	35.04	21.60	60.0	780
MGT1748XB-O51-IP68	48	8.498	299.70	251.14	25.60	1.010	4,000	0.73	0.45	35.04	21.60	60.0	780
MGT1748XB-R51-IP68	48	8.498	299.70	251.14	25.60	1.010	4,000	0.73	0.45	35.04	21.60	60.0	780
MGT1748XB-W51-IP68	48	8.498	299.70	251.14	25.60	1.010	4,000	0.73	0.45	35.04	21.60	60.0	780
MGA1748YB-O51-IP68	48	9.230	325.00	297.24	30.30	1.194	4,350	0.92	0.66	44.16	31.68	63.5	780
MGT1748YB-O51-IP68	48	9.230	325.00	297.24	30.30	1.194	4,350	0.92	0.66	44.16	31.68	63.5	780
MGT1748YB-R51-IP68	48	9.230	325.00	297.24	30.30	1.194	4,350	0.92	0.66	44.16	31.68	63.5	780
MGT1748YB-W51-IP68	48	9.230	325.00	297.24	30.30	1.194	4,350	0.92	0.66	44.16	31.68	63.5	780
MGA1748UB-O51-IP68	48	11.140	393.30	433.60	44.20	1.740	5,250	1.40	1.20	67.20	57.60	69.0	780
MGT1748UB-O51-IP68	48	11.140	393.30	433.60	44.20	1.740	5,250	1.40	1.20	67.20	57.60	69.0	780
MGT1748UB-R51-IP68	48	11.140	393.30	433.60	44.20	1.740	5,250	1.40	1.20	67.20	57.60	69.0	780
MGT1748UB-W51-IP68	48	11.140	393.30	433.60	44.20	1.740	5,250	1.40	1.20	67.20	57.60	69.0	780