

【120*120*38mm IP68 series】

一般仕様

ベアリングタイプ	2Ball	-
回転数偏差	±5%	±10%
フレームタイプ	フランジ	-
フレーム材質	樹脂(UL 94V-0)	
羽材質	樹脂(UL 94V-0)	
期待寿命(L10残存率90%)	4万時間以上/ 60度	
保護機能	拘束時過電流保護 逆接続時保護	

オプション機能

回転数制御	PWM制御 外部DC電圧制御
センサー出力	パルスセンサー ロックセンサー

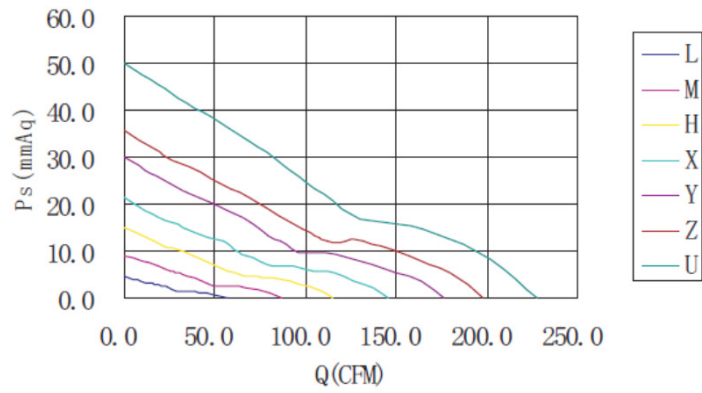
信頼性

動作温度範囲	-10°C~70°C(5%~90% RH)		
保存温度範囲	-40°C~70°C(5%~95% RH)		
ESD ①	ClassIII		
絶縁階級 ②	ClassA		
安全規格	UL	TUV	CE
防塵防水規格	IEC60529		

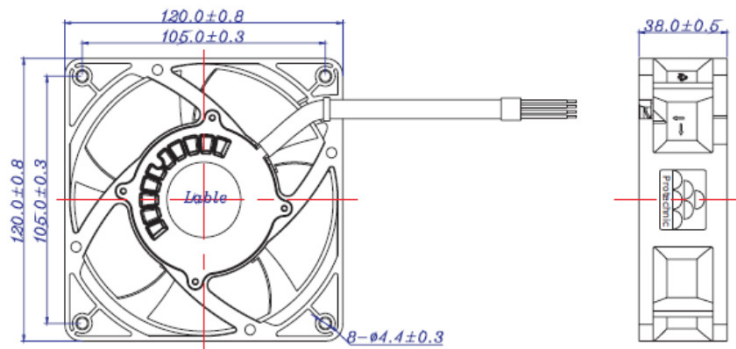
①-Reference Standard: IEC61000-4-2

②-Reference Standard: UL1446

AIR FLOW/STATIC-PRESSURE



OUTLINE(mm)



Item No.	Operating Voltage	Maximum Air Flow		Maximum Air Pressure			Speed	Rated Current	Actual Current	Input Power	Actual Power	Noise	Weight
	(V)	(CMM)	(CFM)	(Pa)	(mmAq)	(inchAq)	(rpm)	(A)	(A)	(W)	(W)	dB(A)	(g)
MGA12012LB-O38-IP68	12	1.612	56.91	44.05	4.49	0.177	2,000	0.45	0.31	5.40	3.70	36.0	415
MGT12012LB-O38-IP68	12	1.612	56.91	44.05	4.49	0.177	2,000	0.45	0.31	5.40	3.70	36.0	415
MGT12012LB-R38-IP68	12	1.612	56.91	44.05	4.49	0.177	2,000	0.45	0.31	5.40	3.70	36.0	415
MGT12012LB-W38-IP68	12	1.612	56.91	44.05	4.49	0.177	2,000	0.45	0.31	5.40	3.70	36.0	415
MGA12012MB-O38-IP68	12	2.458	86.77	89.07	9.08	0.357	3,000	0.68	0.51	8.16	6.11	46.1	415
MGT12012MB-O38-IP68	12	2.458	86.77	89.07	9.08	0.357	3,000	0.68	0.51	8.16	6.11	46.1	415
MGT12012MB-R38-IP68	12	2.458	86.77	89.07	9.08	0.357	3,000	0.68	0.51	8.16	6.11	46.1	415
MGT12012MB-W38-IP68	12	2.458	86.77	89.07	9.08	0.357	3,000	0.68	0.51	8.16	6.11	46.1	415
MGA12012HB-O38-IP68	12	3.255	114.91	147.84	15.07	0.593	4,000	0.86	0.72	10.32	8.64	54.5	415
MGT12012HB-O38-IP68	12	3.255	114.91	147.84	15.07	0.593	4,000	0.86	0.72	10.32	8.64	54.5	415
MGT12012HB-R38-IP68	12	3.255	114.91	147.84	15.07	0.593	4,000	0.86	0.72	10.32	8.64	54.5	415
MGT12012HB-W38-IP68	12	3.255	114.91	147.84	15.07	0.593	4,000	0.86	0.72	10.32	8.64	54.5	415
MGA12012XB-O38-IP68	12	4.127	145.67	210.92	21.50	0.846	5,000	1.35	1.10	16.20	13.20	60.7	415
MGT12012XB-O38-IP68	12	4.127	145.67	210.92	21.50	0.846	5,000	1.35	1.10	16.20	13.20	60.7	415
MGT12012XB-R38-IP68	12	4.127	145.67	210.92	21.50	0.846	5,000	1.35	1.10	16.20	13.20	60.7	415
MGT12012XB-W38-IP68	12	4.127	145.67	210.92	21.50	0.846	5,000	1.35	1.10	16.20	13.20	60.7	415
MGA12012YB-O38-IP68	12	5.001	176.53	293.32	29.9	1.177	6,000	2.10	1.90	25.20	22.80	64.9	415
MGT12012YB-O38-IP68	12	5.001	176.53	293.32	29.9	1.177	6,000	2.10	1.90	25.20	22.80	64.9	415
MGT12012YB-R38-IP68	12	5.001	176.53	293.32	29.9	1.177	6,000	2.10	1.90	25.20	22.80	64.9	415
MGT12012YB-W38-IP68	12	5.001	176.53	293.32	29.9	1.177	6,000	2.10	1.90	25.20	22.80	64.9	415
MGA12024LB-O38-IP68	24	1.612	56.91	44.05	4.49	0.177	2,000	0.22	0.17	5.28	4.13	36.0	415
MGT12024LB-O38-IP68	24	1.612	56.91	44.05	4.49	0.177	2,000	0.22	0.17	5.28	4.13	36.0	415
MGT12024LB-R38-IP68	24	1.612	56.91	44.05	4.49	0.177	2,000	0.22	0.17	5.28	4.13	36.0	415
MGT12024LB-W38-IP68	24	1.612	56.91	44.05	4.49	0.177	2,000	0.22	0.17	5.28	4.13	36.0	415
MGA12024MB-O38-IP68	24	2.458	86.77	89.07	9.08	0.357	3,000	0.34	0.23	8.16	5.59	46.1	415
MGT12024MB-O38-IP68	24	2.458	86.77	89.07	9.08	0.357	3,000	0.34	0.23	8.16	5.59	46.1	415
MGT12024MB-R38-IP68	24	2.458	86.77	89.07	9.08	0.357	3,000	0.34	0.23	8.16	5.59	46.1	415
MGT12024MB-W38-IP68	24	2.458	86.77	89.07	9.08	0.357	3,000	0.34	0.23	8.16	5.59	46.1	415
MGA12024HB-O38-IP68	24	3.255	114.91	147.84	15.07	0.593	4,000	0.43	0.34	10.32	8.06	54.5	415
MGT12024HB-O38-IP68	24	3.255	114.91	147.84	15.07	0.593	4,000	0.43	0.34	10.32	8.06	54.5	415
MGT12024HB-R38-IP68	24	3.255	114.91	147.84	15.07	0.593	4,000	0.43	0.34	10.32	8.06	54.5	415
MGT12024HB-W38-IP68	24	3.255	114.91	147.84	15.07	0.593	4,000	0.43	0.34	10.32	8.06	54.5	415
MGA12024XB-O38-IP68	24	4.127	145.67	210.92	21.50	0.846	5,000	0.70	0.57	16.80	13.58	60.7	415
MGT12024XB-O38-IP68	24	4.127	145.67	210.92	21.50	0.846	5,000	0.70	0.57	16.80	13.58	60.7	415
MGT12024XB-R38-IP68	24	4.127	145.67	210.92	21.50	0.846	5,000	0.70	0.57	16.80	13.58	60.7	415
MGT12024XB-W38-IP68	24	4.127	145.67	210.92	21.50	0.846	5,000	0.70	0.57	16.80	13.58	60.7	415
MGA12024YB-O38-IP68	24	5.001	176.53	293.32	29.90	1.177	6,000	1.05	0.86	25.20	20.66	64.9	415
MGT12024YB-O38-IP68	24	5.001	176.53	293.32	29.90	1.177	6,000	1.05	0.86	25.20	20.66	64.9	415
MGT12024YB-R38-IP68	24	5.001	176.53	293.32	29.90	1.177	6,000	1.05	0.86	25.20	20.66	64.9	415
MGT12024YB-W38-IP68	24	5.001	176.53	293.32	29.90	1.177	6,000	1.05	0.86	25.20	20.66	64.9	415

Item No.	Operating Voltage	Maximum Air Flow		Maximum Air Pressure			Speed	Rated Current	Actual Current	Input Power	Actual Power	Noise	Weight
	(V)	(CMM)	(CFM)	(Pa)	(mmAq)	(inchAq)	(rpm)	(A)	(A)	(W)	(W)	dB(A)	(g)
MGA12024ZB-O38-IP68	24	5.603	197.78	350.22	35.70	1.406	6,800	1.40	1.20	33.60	28.82	67.8	415
MGT12024ZB-O38-IP68	24	5.603	197.78	350.22	35.70	1.406	6,800	1.40	1.20	33.60	28.82	67.8	415
MGT12024ZB-R38-IP68	24	5.603	197.78	350.22	35.70	1.406	6,800	1.40	1.20	33.60	28.82	67.8	415
MGT12024ZB-W38-IP68	24	5.603	197.78	350.22	35.70	1.406	6,800	1.40	1.20	33.60	28.82	67.8	415
MGA12024UB-O38-IP68	24	6.459	228.00	490.50	50.00	1.969	7,500	1.75	1.61	42.00	38.62	70.0	415
MGT12024UB-O38-IP68	24	6.459	228.00	490.50	50.00	1.969	7,500	1.75	1.61	42.00	38.62	70.0	415
MGT12024UB-R38-IP68	24	6.459	228.00	490.50	50.00	1.969	7,500	1.75	1.61	42.00	38.62	70.0	415
MGT12024UB-W38-IP68	24	6.459	228.00	490.50	50.00	1.969	7,500	1.75	1.61	42.00	38.62	70.0	415
MGA12048MB-O38-IP68	48	2.458	86.77	89.07	9.08	0.357	3,000	0.18	0.15	8.64	7.30	46.1	415
MGT12048MB-O38-IP68	48	2.458	86.77	89.07	9.08	0.357	3,000	0.18	0.15	8.64	7.30	46.1	415
MGT12048MB-R38-IP68	48	2.458	86.77	89.07	9.08	0.357	3,000	0.18	0.15	8.64	7.30	46.1	415
MGT12048MB-W38-IP68	48	2.458	86.77	89.07	9.08	0.357	3,000	0.18	0.15	8.64	7.30	46.1	415
MGA12048HB-O38-IP68	48	3.255	114.91	147.84	15.07	0.593	4,000	0.26	0.22	12.40	10.42	54.5	415
MGT12048HB-O38-IP68	48	3.255	114.91	147.84	15.07	0.593	4,000	0.26	0.22	12.40	10.42	54.5	415
MGT12048HB-R38-IP68	48	3.255	114.91	147.84	15.07	0.593	4,000	0.26	0.22	12.40	10.42	54.5	415
MGT12048HB-W38-IP68	48	3.255	114.91	147.84	15.07	0.593	4,000	0.26	0.22	12.40	10.42	54.5	415
MGA12048XB-O38-IP68	48	4.127	145.67	210.92	21.50	0.846	5,000	0.35	0.23	16.80	10.94	60.7	415
MGT12048XB-O38-IP68	48	4.127	145.67	210.92	21.50	0.846	5,000	0.35	0.23	16.80	10.94	60.7	415
MGT12048XB-R38-IP68	48	4.127	145.67	210.92	21.50	0.846	5,000	0.35	0.23	16.80	10.94	60.7	415
MGT12048XB-W38-IP68	48	4.127	145.67	210.92	21.50	0.846	5,000	0.35	0.23	16.80	10.94	60.7	415
MGA12048YB-O38-IP68	48	5.001	176.53	293.32	29.9	1.177	6,000	0.43	0.37	20.64	17.57	64.9	415
MGT12048YB-O38-IP68	48	5.001	176.53	293.32	29.9	1.177	6,000	0.43	0.37	20.64	17.57	64.9	415
MGT12048YB-R38-IP68	48	5.001	176.53	293.32	29.9	1.177	6,000	0.43	0.37	20.64	17.57	64.9	415
MGT12048YB-W38-IP68	48	5.001	176.53	293.32	29.9	1.177	6,000	0.43	0.37	20.64	17.57	64.9	415
MGA12048ZB-O38-IP68	48	5.603	197.78	350.22	35.70	1.406	6,800	0.60	0.46	28.80	22.13	67.8	415
MGT12048ZB-O38-IP68	48	5.603	197.78	350.22	35.70	1.406	6,800	0.60	0.46	28.80	22.13	67.8	415
MGT12048ZB-R38-IP68	48	5.603	197.78	350.22	35.70	1.406	6,800	0.60	0.46	28.80	22.13	67.8	415
MGT12048ZB-W38-IP68	48	5.603	197.78	350.22	35.70	1.406	6,800	0.60	0.46	28.80	22.13	67.8	415
MGA12048UB-O38-IP68	48	6.459	228.00	490.50	50.00	1.969	7,500	0.85	0.71	40.80	34.18	70.0	415
MGT12048UB-O38-IP68	48	6.459	228.00	490.50	50.00	1.969	7,500	0.85	0.71	40.80	34.18	70.0	415
MGT12048UB-R38-IP68	48	6.459	228.00	490.50	50.00	1.969	7,500	0.85	0.71	40.80	34.18	70.0	415
MGT12048UB-W38-IP68	48	6.459	228.00	490.50	50.00	1.969	7,500	0.85	0.71	40.80	34.18	70.0	415

メ